

Thermaltake Core X1 ITX Cube Case

- **Style : Gaming**

- **Size : Cube case supports up to ITX MB**

- **Material : Steel & Plastic**

- **Main Feature**

- **Connection : Side I/O ports including 2 USB 3.0**

- **Ventilation : 2 preinstalled 120mm fans with removable filters**

- **Expansion : 2+4 drive bays with modular drive racks design**

- **Support : ATX PSU & DIY liquid cooling solutions**



Thermaltake Core X1 ITX Cube Case

• Specification

Model	Core X1
P/N	CA-1D6-00S1WN-00
Case Type	ITX Cube Case
Chassis Dimension (H*W*D)	426 x 280 x 471 mm (16.8 x 11 x 18.5 inch)
Net Weight	9 kg / 19.9 lb
Side Panel	Transparent Window
Color	Exterior & Interior : Black
Material	SPCC
Cooling System	Front (intake) : 120 x 120 x 25 mm Turbo fan (1000rpm, 16dBA) Rear (exhaust) : 120 x 120 x 25 mm Turbo fan (1000rpm, 16dBA)
Drive Bays	
-Accessible	2 x 5.25"
-Hidden	3 x 3.5" or 2.5" (HDD Cage), 1 x 2.5" (M/B Tray)
Expansion Slots	3
Motherboards	6.7" x 6.7" (Mini ITX)
I/O Port	USB 3.0 x 2, HD Audio x 1
PSU	Standard PS2 PSU (optional)
LCS Upgradable	Supports 1/2"、3/8"、1/4" water tube

Fan Support	Front:
	3 x 120mm
	2 x 140mm
	1 x 200mm
	Top:
	3 x 120mm
	2 x 140mm
2 x 200mm	
Rear:	
1 x 120mm or 1 x 140mm	
Bottom:	
1 x 120mm	

Radiator Support	Front:
	1 x 120mm or 1 x 240mm
	1 x 140mm or 1 x 280mm
	Top:
	1 x 120mm or 1 x 240mm or 1 x 360mm
	1 x 140mm or 1 x 280mm
	Rear:
1 x 120mm or or 1 x 140mm	

Clearance	CPU cooler height limitation: 200mm
	VGA length limitation: 280mm(with ODD Cage) 400mm(without ODD Cage)
	PSU length limitation: 220mm (With Bottom Fan)

Thermaltake Core X1 ITX Cube Case

•Packaging

Package Information

EAN Code	4717964400222
UPC Code	841163060032
N.W	9 kg / 19.9 lb
G.W	10 kg / 22.1 lb
Carton Size (L x W x H)	482 x 362 x 559mm / 19 x 14.3 x 22 inch
Cuft	3.44
Container	w/o pallet
20'	715
40'	622
40' HQ	305



Thermaltake Core X1 ITX Cube Case

• Appearance



Angle view



Thermaltake Core X1 ITX Cube Case

• Appearance



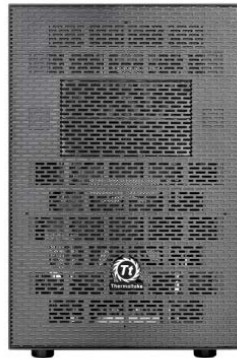
Top view



Top view (Without Top Panel)



Left Side view



Front view



Right Side view



Left Side view (Without Side Panel)



Rear view



Right Side view (Without Side Panel)



Bottom view



Bottom view(Without Bottom Panel)

Thermaltake Core X1 ITX Cube Case

• Unique Design



Maximum CPU cooler height up to 20cm



Maximum radiator support up to 36cm



Stackable & expandable for enthusiasts

Thermaltake Core X1 ITX Cube Case

- **Unique Design**



Full modular design



Interchangeable window & I/O panel

Thermaltake Core X1 ITX Cube Case

- **Structure (External)**



Side I/O ports with dual USB 3.0



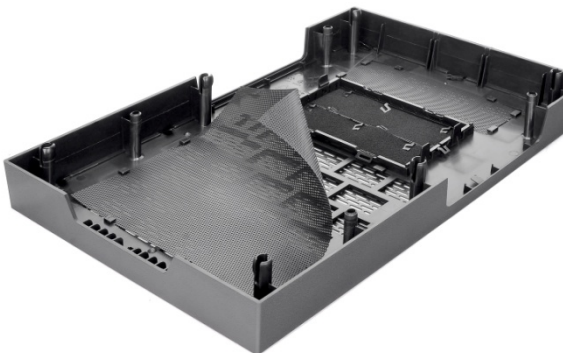
Metal Mesh front panel



Top magnetic fan filter



Side magnetic fan filter



Front fan filter



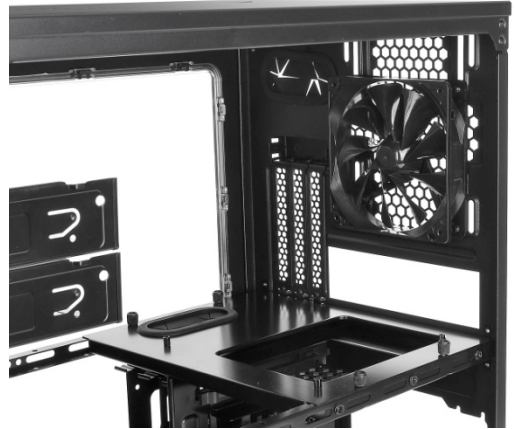
Bottom filter

Thermaltake Core X1 ITX Cube Case

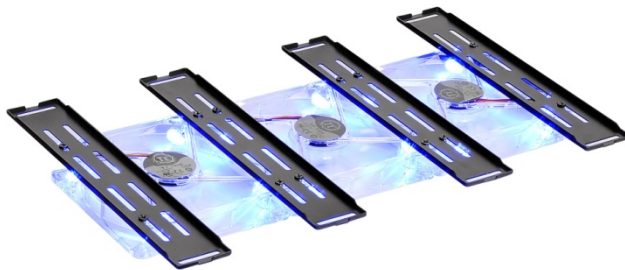
- **Ventilation**



Built-in front 12cm fan



Built-in rear 12cm fan



12 , 14 & 20 cm fan bracket on top

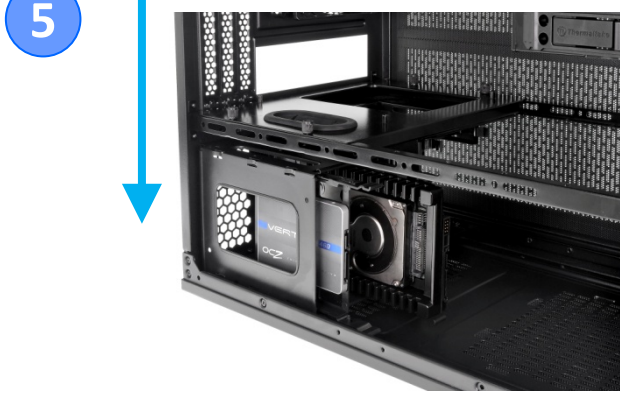
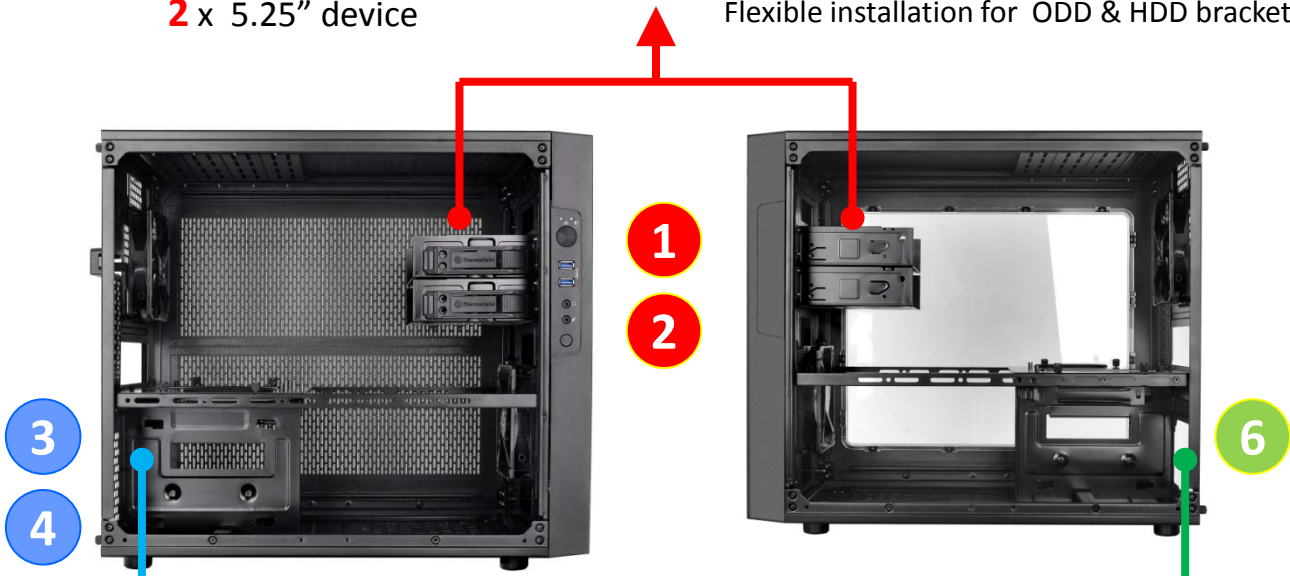
Thermaltake Core X1 ITX Cube Case

• Structure (Internal)



2 x 5.25" device

Flexible installation for ODD & HDD bracket



3 x 3.5" or 2.5" device



1 x 2.5" device

Thermaltake Core X1 ITX Cube Case

- *Structure (Internal)*



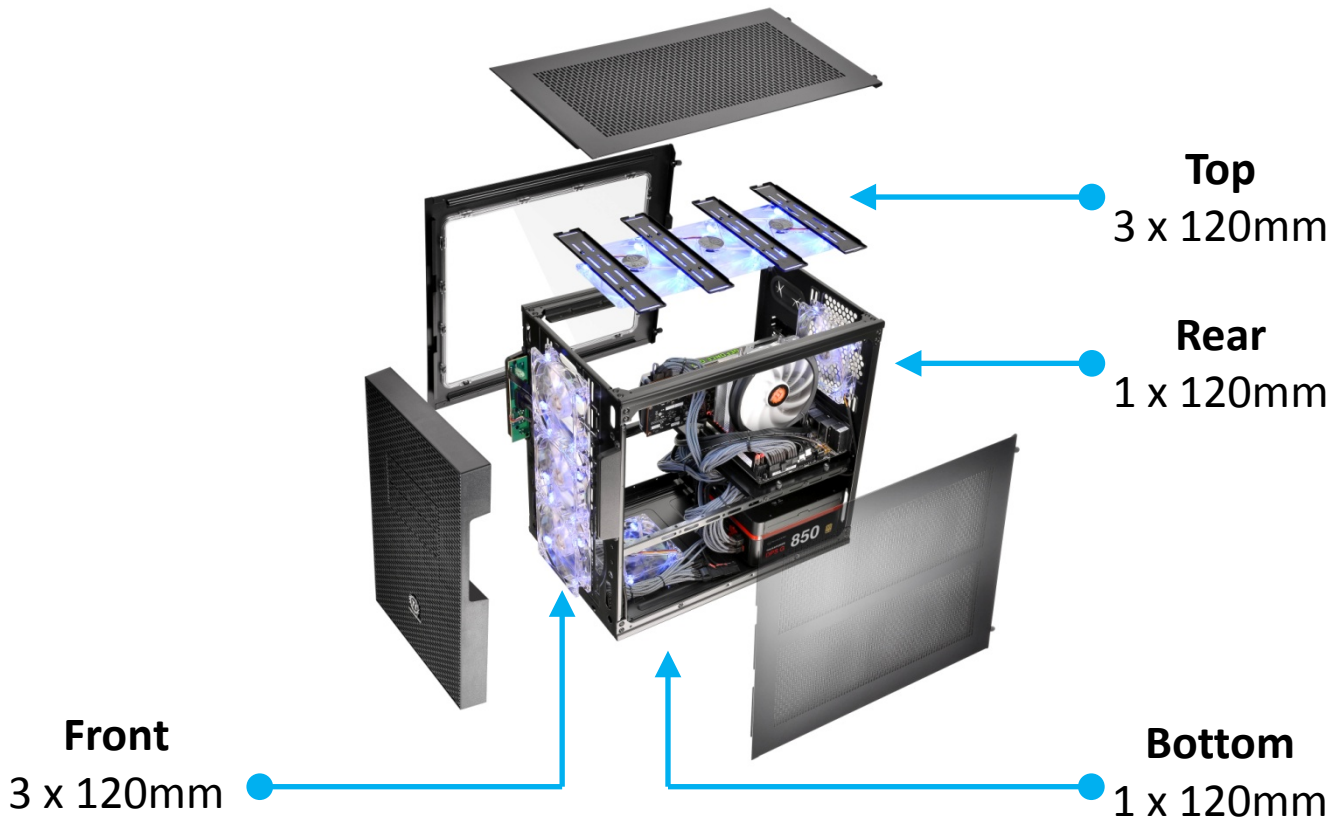
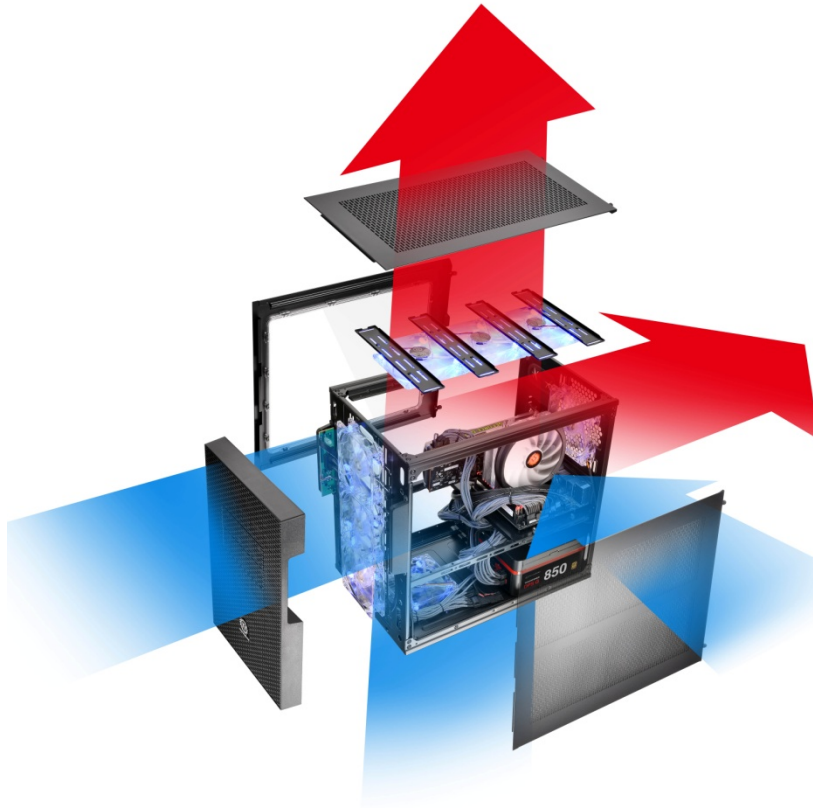
Maximum VGA length up to 40cm



Thermaltake Core X1 ITX Cube Case

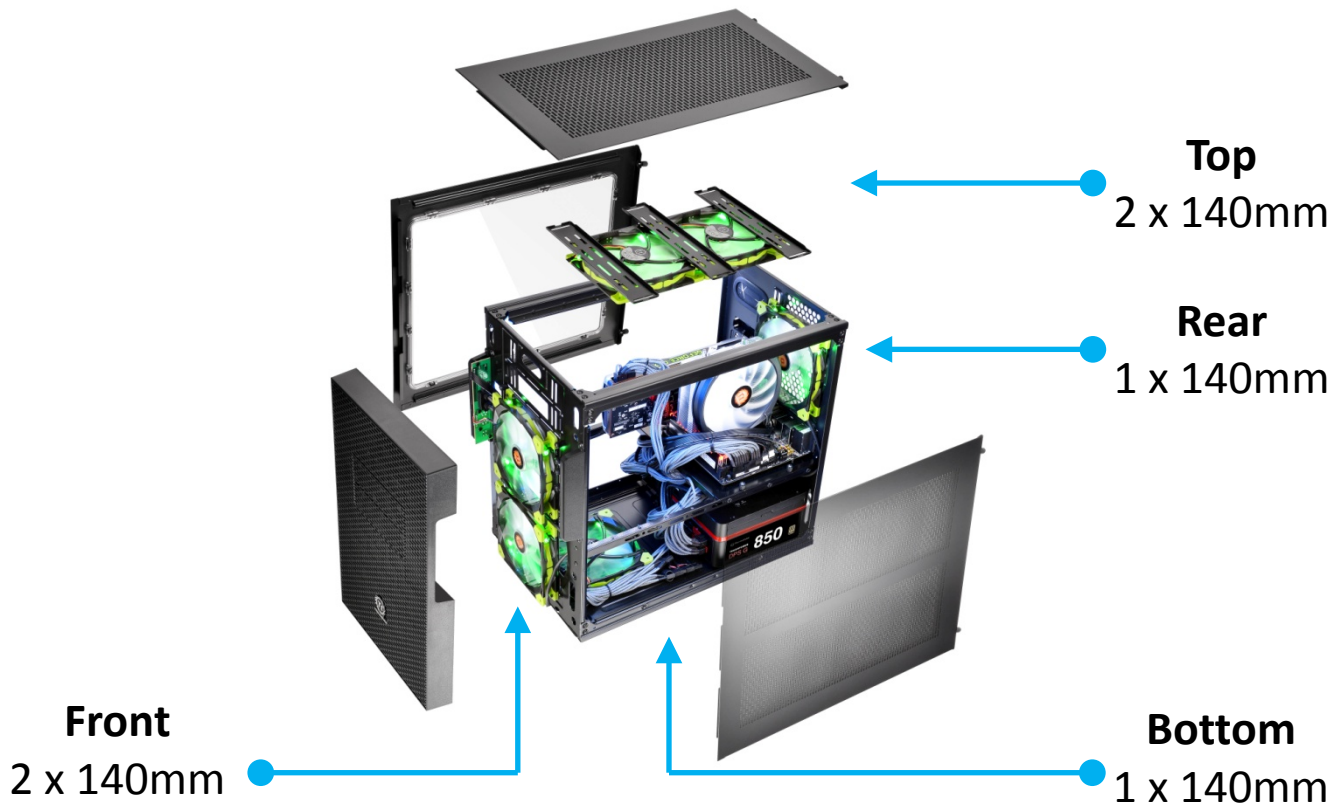
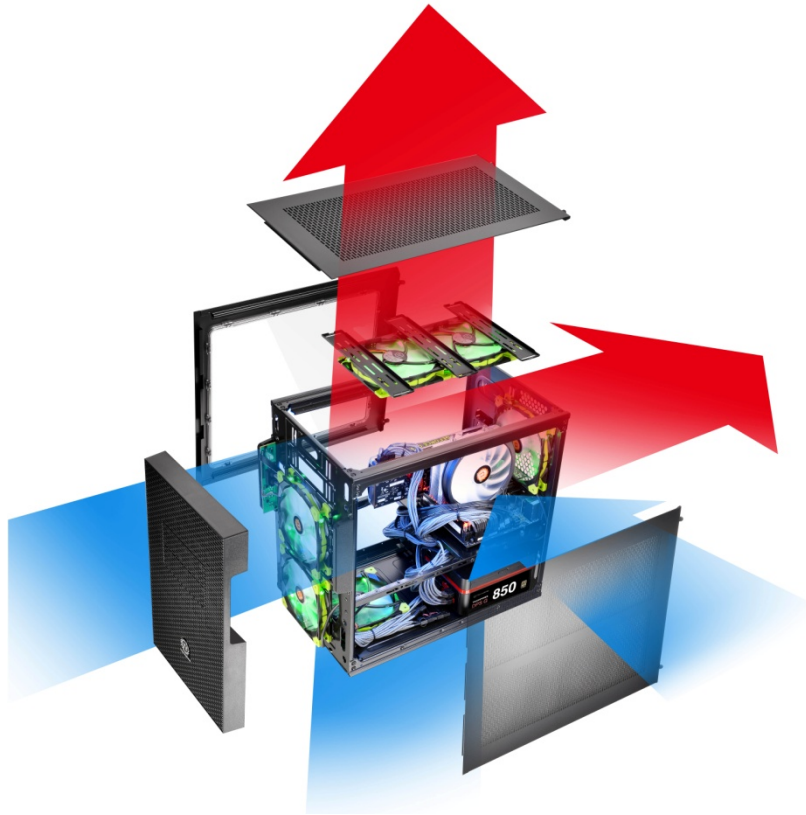
• The Cooling System - Air Cooling

Pure
12



Thermaltake Core X1 ITX Cube Case

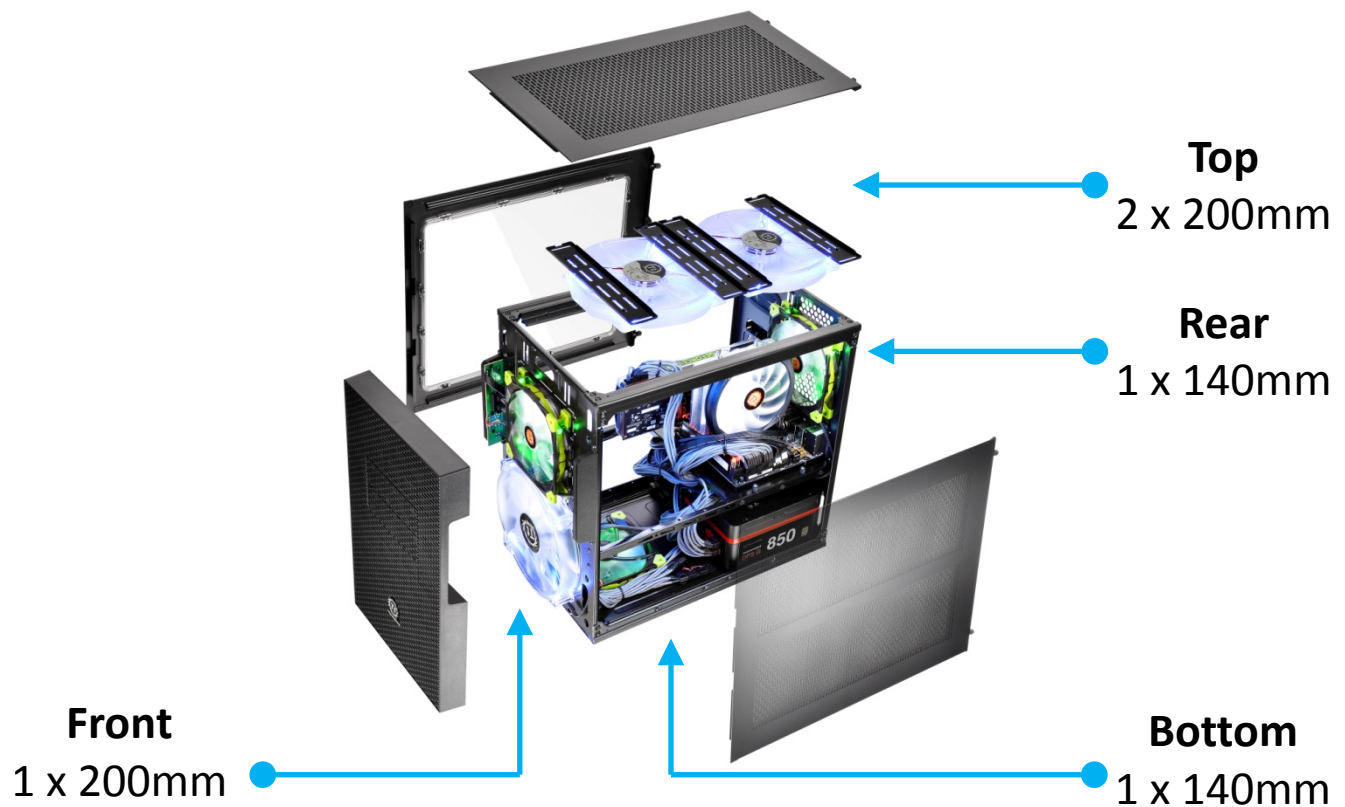
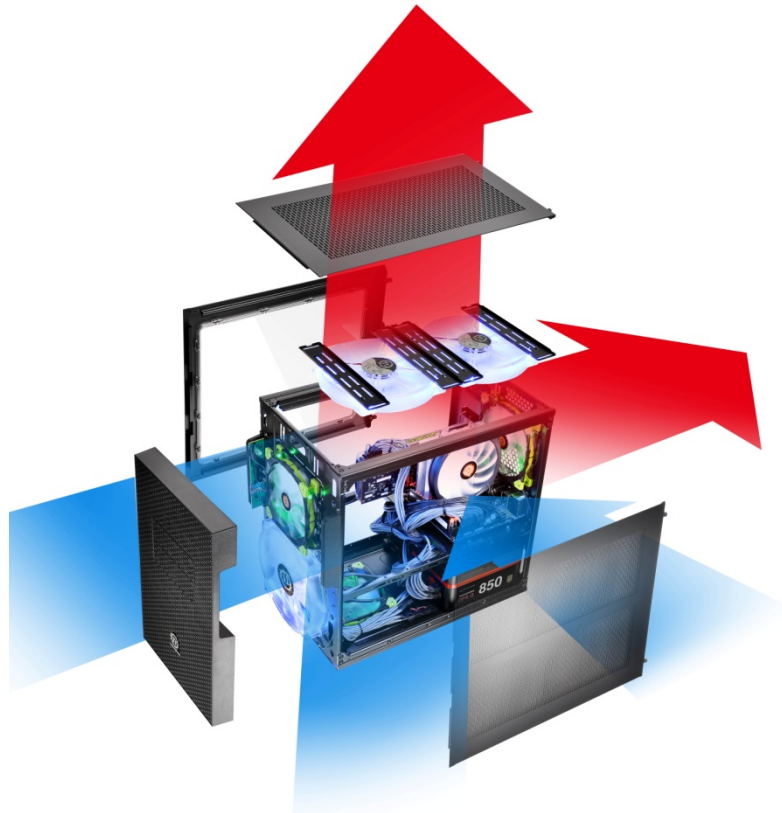
• The Cooling System - Air Cooling



Thermaltake Core X1 ITX Cube Case

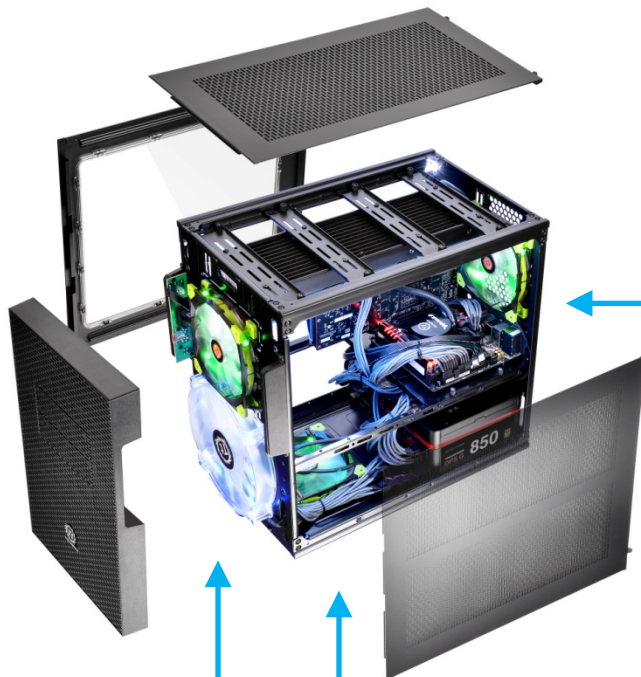
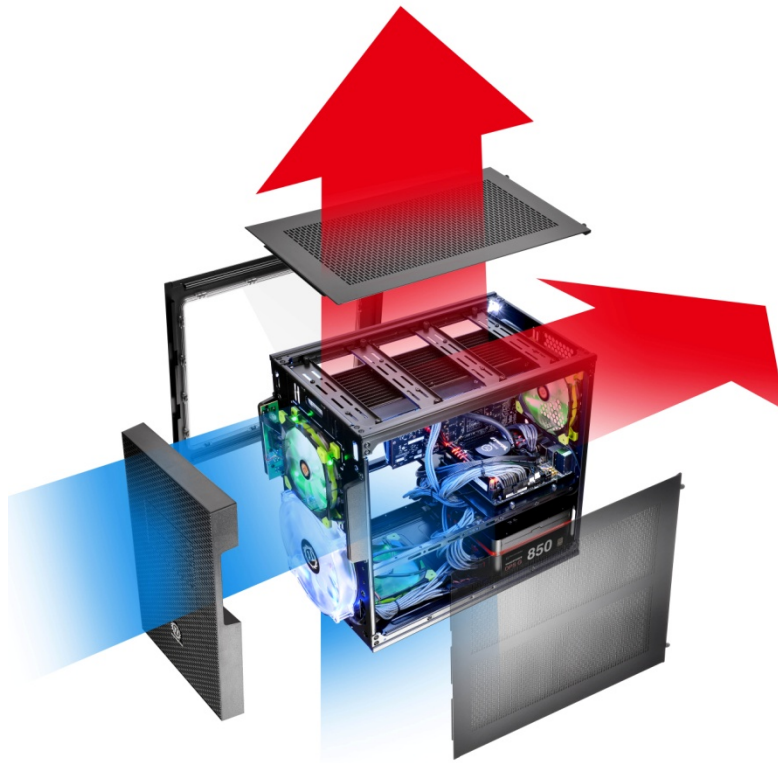
• The Cooling System - Air Cooling

Pure
20



Thermaltake Core X1 ITX Cube Case

• The Cooling System – AIO Liquid Cooling (Optional)



Front
1 x 200mm

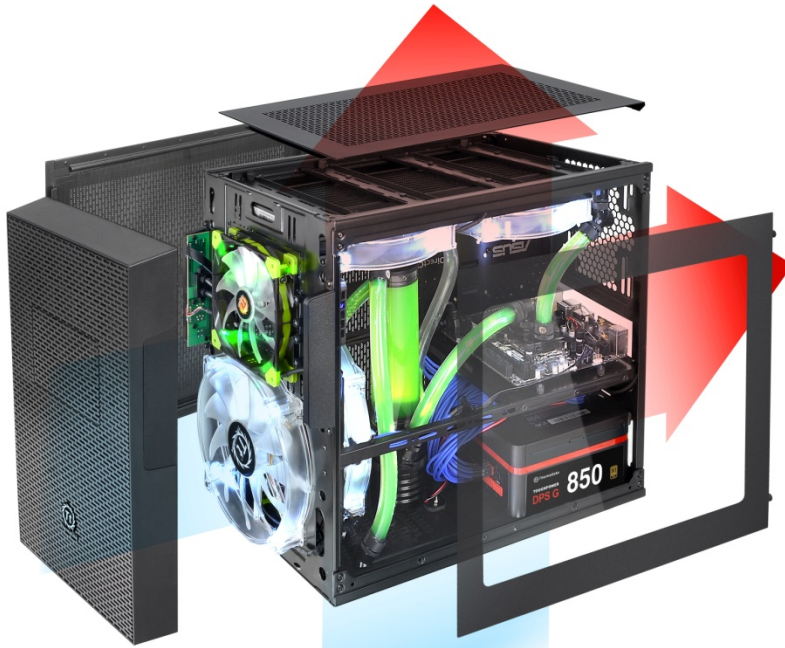
Rear
1 x 140mm

Bottom
1 x 140mm

Thermaltake Core X1 ITX Cube Case

- *The Cooling System – DIY Liquid Cooling (Optional)*

Pure
20



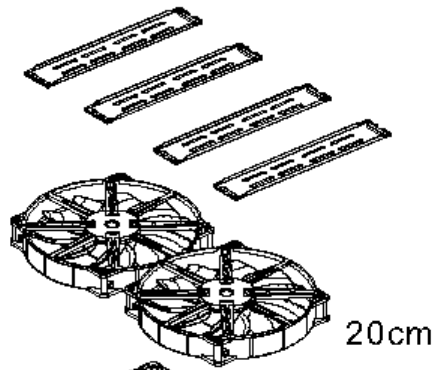
Front
1 x 200mm

Top
2 x 200mm

Thermaltake Core X1 ITX Cube Case

• The Cooling System - Air Cooling

Top



20cm

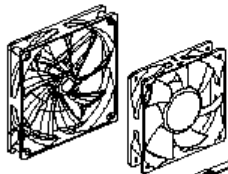
Front:
3 x 120mm
2 x 140mm
1 x 200mm

Top:
3 x 120mm
2 x 140mm
2 x 200mm

Rear:
1 x 120mm or 1 x 140mm

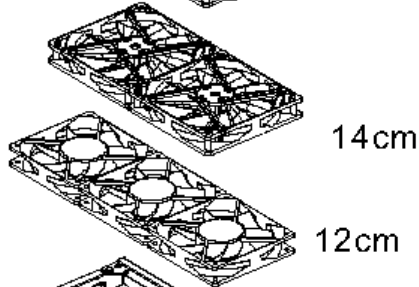
Bottom:
1 x 120mm

Rear



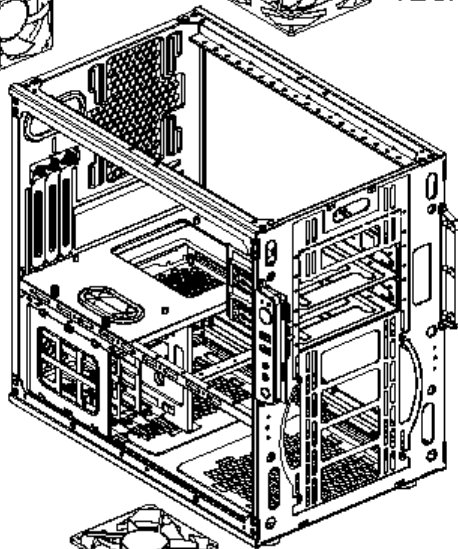
14cm

12cm

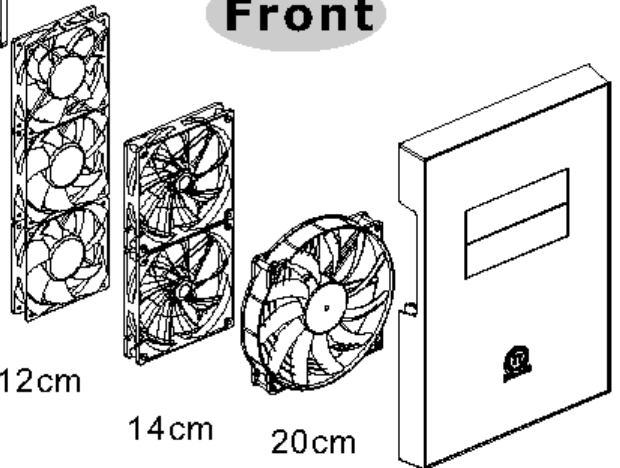


14cm

12cm



Front



12cm

14cm

20cm

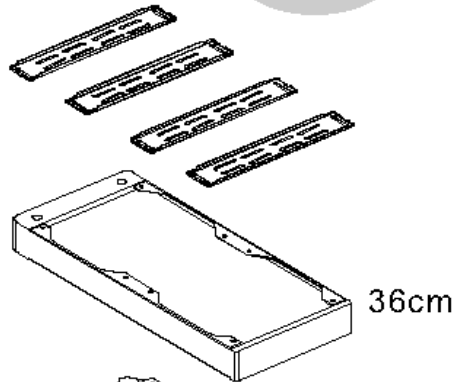
Bottom

12cm

Thermaltake Core X1 ITX Cube Case

• The Cooling System – Liquid Cooling (Optional)

Top



Front:

1 x 120mm or 1 x 240mm

1 x 140mm or 1 x 280mm

Top:

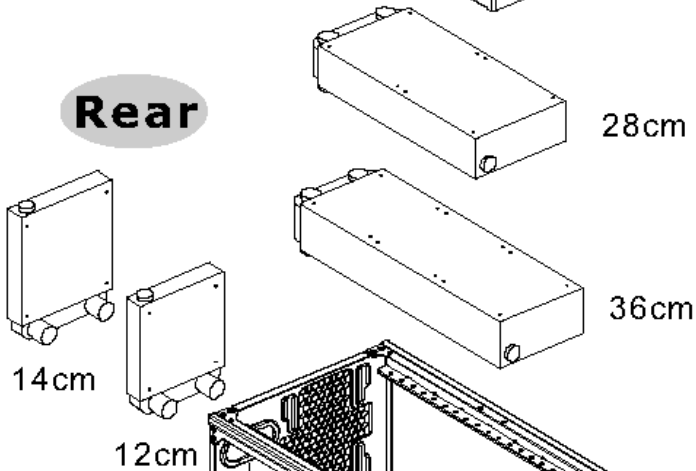
1 x 120mm or 1 x 240mm or 1 x 360mm

1 x 140mm or 1 x 280mm

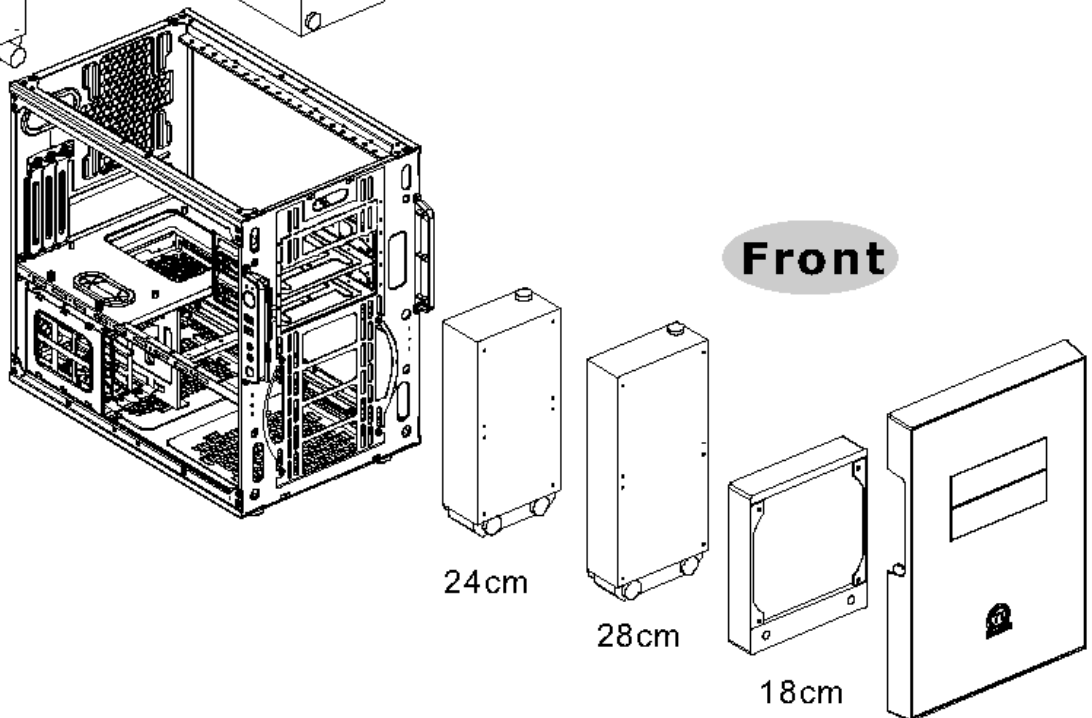
Rear:

1 x 120mm or 1 x 140mm

Rear



Front



Thermaltake Core X1 ITX Cube Case

• Compatibility List

Fan Compatibility List			
	12cm	14cm	20cm
Front	3	2	1
Top	3	2	2
Rear	1	1	-
Bottom	1	-	-
Side(L/R)	-	-	-

Thermaltake Compatible Fan			
	12cm	14cm	20cm
PURE FAN Series	●	●	●
LUNA FAN Series	●	●	●
Odin FAN Series	●	-	-

Thermaltake Core X1 ITX Cube Case

• Compatibility List

Radiator Compatibility List			
	12cm	24cm	36cm
Front	●	●	-
Top	●	●	●
Rear	●	-	-
Bottom	-	-	-
Side(L/R)	-	-	-

Radiator Compatibility List		
	14cm	28cm
Front	●	●
Top	●	●
Rear	●	-
Bottom	-	-
Side(L/R)	-	-

Radiator Compatibility List		
	18cm	36cm
Front	●	-
Top	●	●

Water 3.0 Compatibility List				
	Performer	Pro	Extreme	Ultimate
Front	●	●	●	-
Top	●	●	●	●
Rear	●	●	●	-
Bottom	-	-	-	-
Side(L/R)	-	-	-	-

Thermaltake Core X1 ITX Cube Case

- **Compatibility List**

✘ Only on stacking mode

Radiator Compatibility List (Stacking Mode)		
	36cm	48cm
Front	●	●

Radiator Compatibility List (Stacking Mode)	
	42cm
Front	●

Radiator Compatibility List (Stacking Mode)		
	36cm	54cm
Front	●	●